

ADDITIONAL EQUIPMENT

CARD-COLLECTOR

The “newer” in a range of our accessories is Card collector stand.

It designed with stainless steel housing (polished, brushed, powder coated optionally).

Card collector stand is equipped with LED indicators and card slot.

Its design makes this model appropriate for operating with every access control system (full-high, tripod, optical and rotor turnstiles).

Working as a system they are appropriate for administrative facilities, enterprises, banks, exhibition centers, museums and so on.



GREAT SUPPORT ACCESSORIES FOR EVERY ACCESS CONTROL SYSTEM

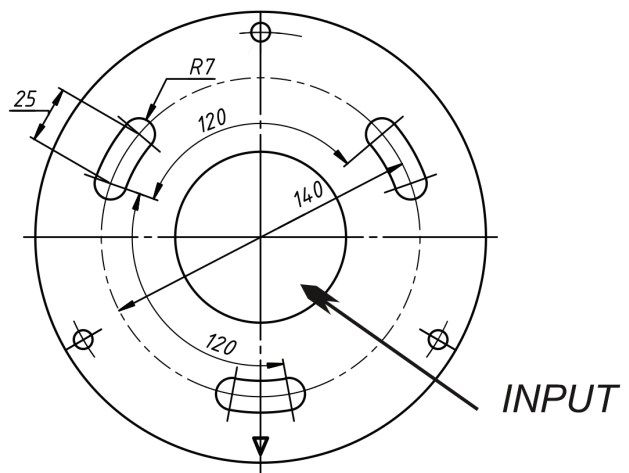
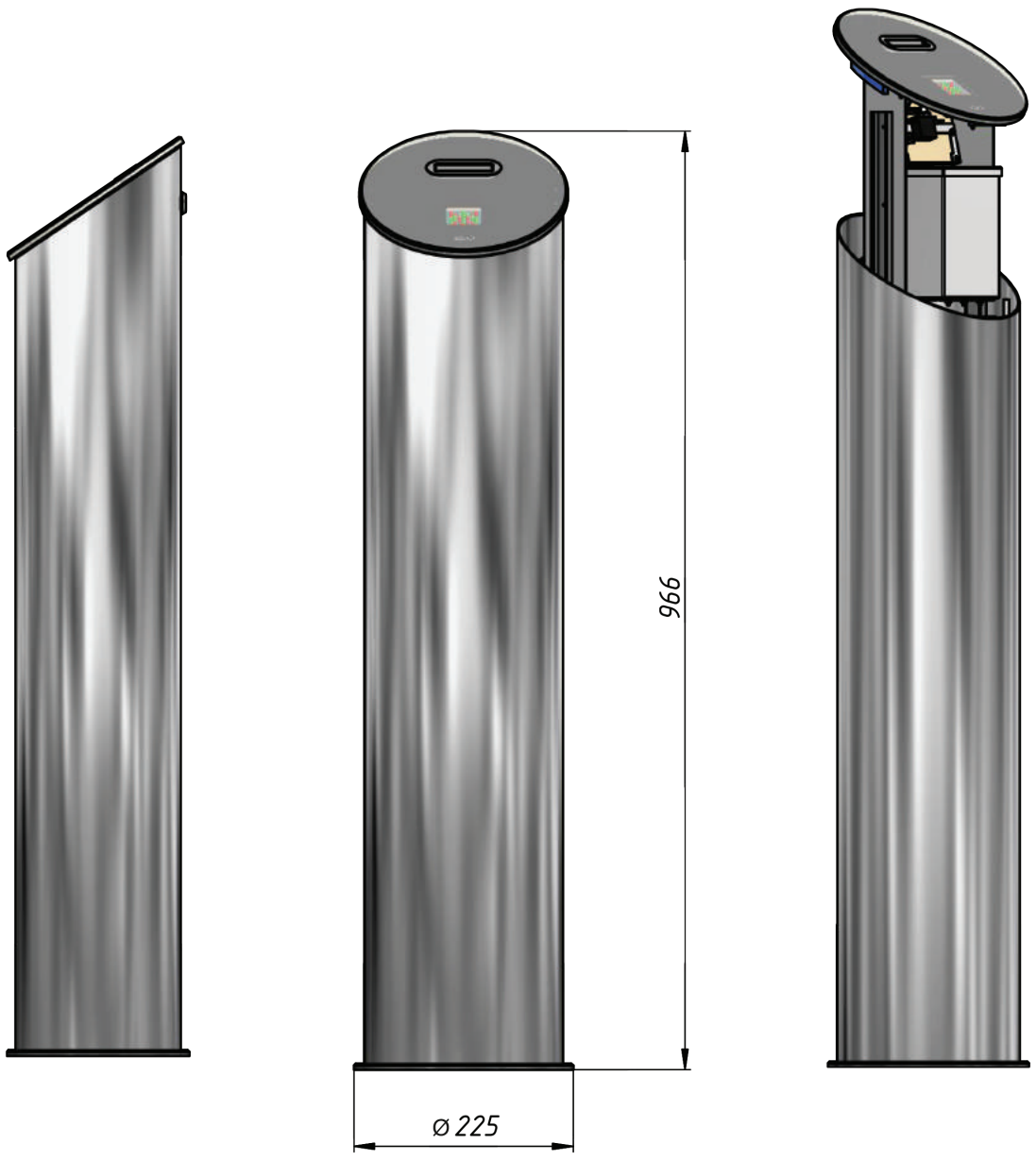
Electrical Specifications:

- Voltage:
 - from a DC source 12 V;
 - from the AC (100-240) V (optional)
- Maximum power consumption 5 W;
- Degree of protection according to GOST 14254-96 - IP41

Technical Specifications:

Height	966 mm
Diametr	255 mm
Wall thikness	2 mm
Weight	19 kg





www.tiso.global
+380 (44) 291-21-11
e-mail: export@tiso.global

