

# ONYX-XL

Experience the future of access control with Onyx-XL – the ultimate turnstile solution. Boasting an innovative "All-in-one" design, this waist-high tripod turnstile effortlessly integrates various options like payment terminals, barcode scanners, coin acceptors, card readers, ticket printers, and more. Equipped with a robust servodrive mechanism, stainless steel arms, and an automatic "anti-panic" system, Onyx-XL guarantees reliable operation even in high-traffic areas. Redefine functionality and style with Onyx-XL.



COMBINE SLEEK, ERGONOMIC DESIGN WITH ROBUST ENGINEERING



## Key features:

- Integration with any type of pay systems: coin acceptors, card acceptors, ticket printers and checks, etc;
- Integration with any type of access control and ID systems;
- Additional space for advertisement with LED backlight;
- Ergonomical design with stylish lines;
- Servo-driven tripod turnstile with anti-panic system /drop-arm function;
- Anti-panic function with automatic reset;
- Successful combination of affordable price and high quality;
- Low power consumption;
- Whisper quiet, low noise operation;
- Can be mounted on a ramped base mobile platform (TiSO Frame-M);
- Wide range of accessories;
- Wired remote control is in a standard kit;
- 4 LED indicators;
- Supply of backup battery power connection;
- Place for RFID readers under the top glass;
- Turnstile is supplied ready for installation.



**Technical Specifications:**

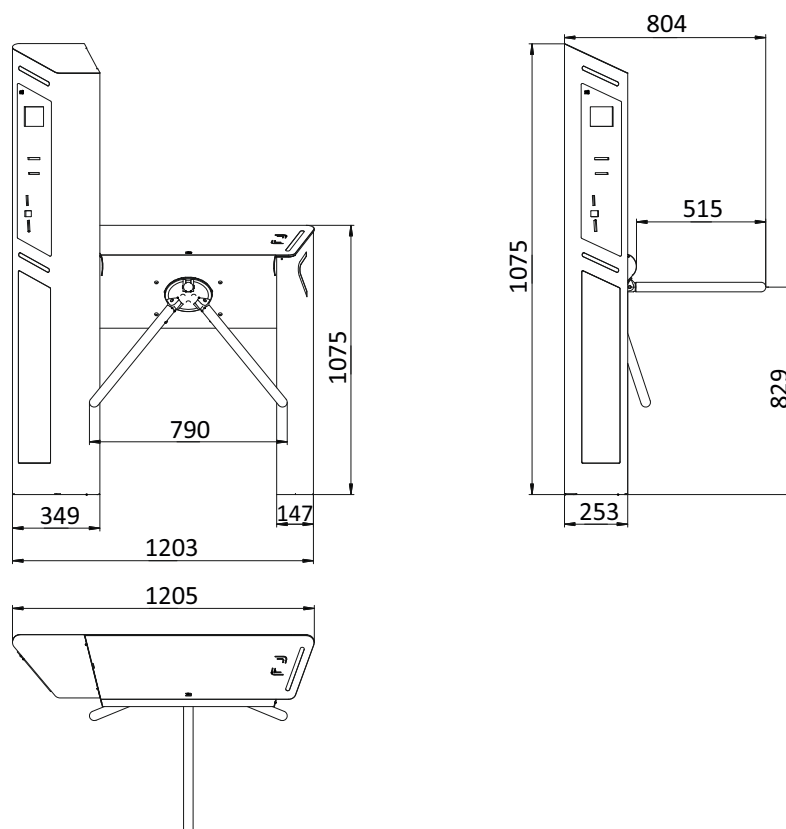
Model	Onyx-XL
Width, mm	804
Length, mm	1203
Height, mm	1800
Passage width, mm	600
Mechanism	Servo-driven (Triservo-M)
Blocking system	Two electromagnetic stoppers
Emergency mode (fire-alarm)	Fail-safe (lowering the leash)
Drop arm function	Drop arm function can be activated when power is on Drop arm function activates automatically when power goes off
MCBF, cycles	5 000 000

**Electrical Specifications:**

Maximum power consumption, W	55/115 (option)
Voltage	From the AC (100-240)V, 50/60Hz; from a DC source 12 V

**Finishing**

Standard housing	Brushed SS AISI 304
Available housing	Brushed SS AISI 316; Polished SS AISI 304; Polished SS AISI 316; Powder coated RAL



*Specifications are subject to change without prior notice.*

